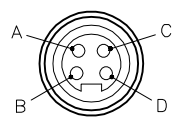

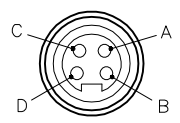

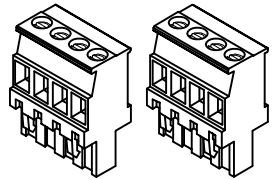
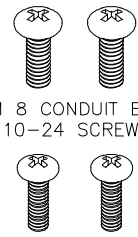
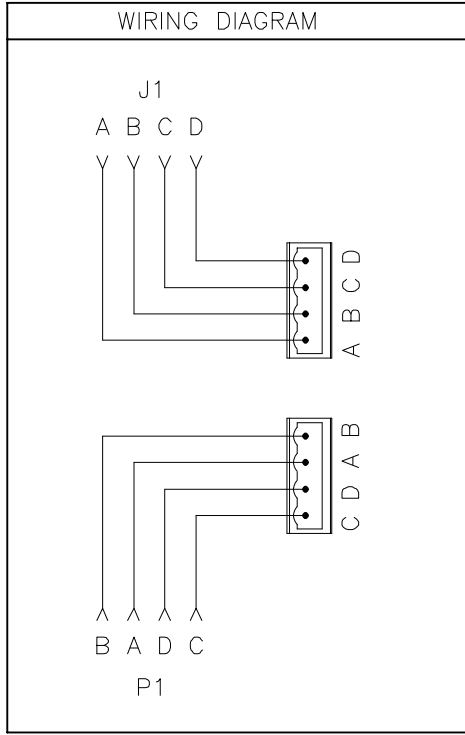
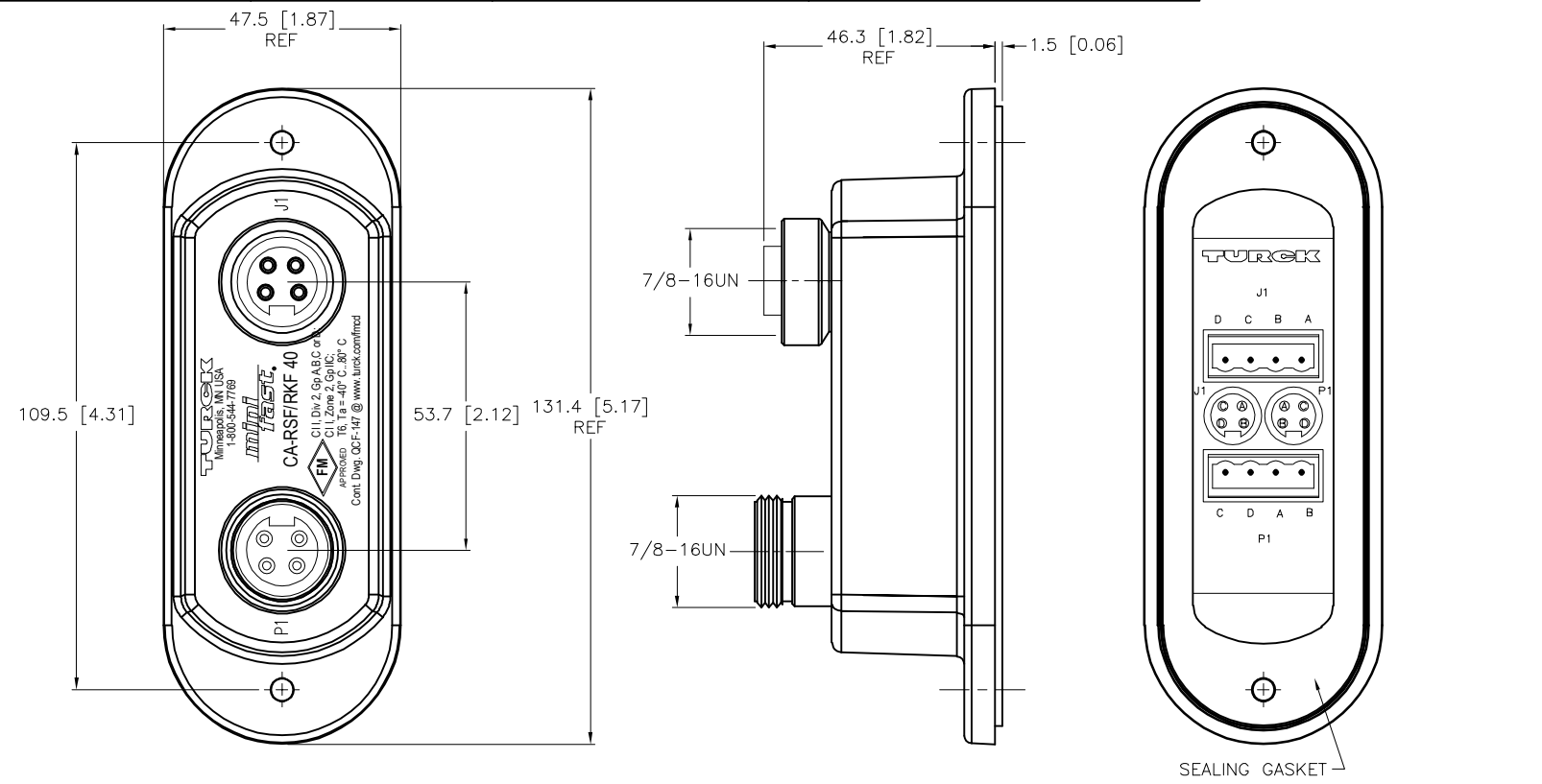
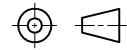


P1 CONNECTOR  	J1 CONNECTOR  	TERMINAL PLUGS INCLUDED 	COVER SCREWS INCLUDED  FORM 8 CONDUIT BODIES: 10-24 SCREWS MARK 9 CONDUIT BODIES: 8-32 SCREWS	SPECIFICATIONS <table border="1"> <tr> <td>HOUSING MATERIAL/COLOR</td> <td>NYLON 66 - 33% GLASS FILLED/BLACK</td> </tr> <tr> <td>RECEPTACLE HOUSING MATERIAL/FINISH</td> <td>STAINLESS STEEL/PASSIVATED</td> </tr> <tr> <td>CONTACT CARRIERS/COLOR</td> <td>TPU/BLACK</td> </tr> <tr> <td>CONTACT MATERIAL/PLATING</td> <td>BRASS/GOLD</td> </tr> <tr> <td>OPERATING VOLTAGE</td> <td>250 V</td> </tr> <tr> <td>OPERATING CURRENT</td> <td>9.0 A PER CONDUCTOR</td> </tr> <tr> <td>PROTECTION CLASS to DIN 40050</td> <td>IP 67 - ONLY WHEN ALL RECEPTACLES ARE COVERED WITH PLUGS OR CONNECTED</td> </tr> <tr> <td>OPERATING TEMPERATURE</td> <td>-30°C to +80°C (-22°F to +176°F)</td> </tr> </table>	HOUSING MATERIAL/COLOR	NYLON 66 - 33% GLASS FILLED/BLACK	RECEPTACLE HOUSING MATERIAL/FINISH	STAINLESS STEEL/PASSIVATED	CONTACT CARRIERS/COLOR	TPU/BLACK	CONTACT MATERIAL/PLATING	BRASS/GOLD	OPERATING VOLTAGE	250 V	OPERATING CURRENT	9.0 A PER CONDUCTOR	PROTECTION CLASS to DIN 40050	IP 67 - ONLY WHEN ALL RECEPTACLES ARE COVERED WITH PLUGS OR CONNECTED	OPERATING TEMPERATURE	-30°C to +80°C (-22°F to +176°F)
HOUSING MATERIAL/COLOR	NYLON 66 - 33% GLASS FILLED/BLACK																			
RECEPTACLE HOUSING MATERIAL/FINISH	STAINLESS STEEL/PASSIVATED																			
CONTACT CARRIERS/COLOR	TPU/BLACK																			
CONTACT MATERIAL/PLATING	BRASS/GOLD																			
OPERATING VOLTAGE	250 V																			
OPERATING CURRENT	9.0 A PER CONDUCTOR																			
PROTECTION CLASS to DIN 40050	IP 67 - ONLY WHEN ALL RECEPTACLES ARE COVERED WITH PLUGS OR CONNECTED																			
OPERATING TEMPERATURE	-30°C to +80°C (-22°F to +176°F)																			



SOURCE DRAWING - FOR REFERENCE ONLY

RELATED DOCUMENTS 1. 2. 3. 4.	3RD ANGLE PROJECTION 	THIS DRAWING IS CONFIDENTIAL AND THE PROPERTY OF TURCK INC. USE OF THIS DOCUMENT WITHOUT WRITTEN PERMISSION IS PROHIBITED.	<div style="text-align: center;">TURCK</div> 3000 CAMPUS DRIVE MINNEAPOLIS, MN 55441 1-800-544-7769 (763) 553-7300 (763) 553-0708 fax www.turck.us						
MATERIAL	ALL DIMENSIONS DISPLAYED ON THIS DRAWING ARE FOR REFERENCE ONLY	DRFT RWC DATE 05/23/05 APVD SCALE 1=1.5	DESCRIPTION CA-RSFV/RKFV 40						
FINISH	CONTACT TURCK FOR MORE INFORMATION	UNIT OF MEASUREMENT MILLIMETER [INCH] DO NOT SCALE THIS DRAWING	<table border="1"> <tr> <td>IDENTIFICATION NO.</td> <td>REV</td> </tr> <tr> <td>U2-04650</td> <td>G</td> </tr> <tr> <td>FILE: U2-04650</td> <td>SHEET 1 OF 1</td> </tr> </table>	IDENTIFICATION NO.	REV	U2-04650	G	FILE: U2-04650	SHEET 1 OF 1
IDENTIFICATION NO.	REV								
U2-04650	G								
FILE: U2-04650	SHEET 1 OF 1								

G	UPDATE CLICHE	NF	10/21/25	81452
REV	DESCRIPTION	BY	DATE	ECO NO.